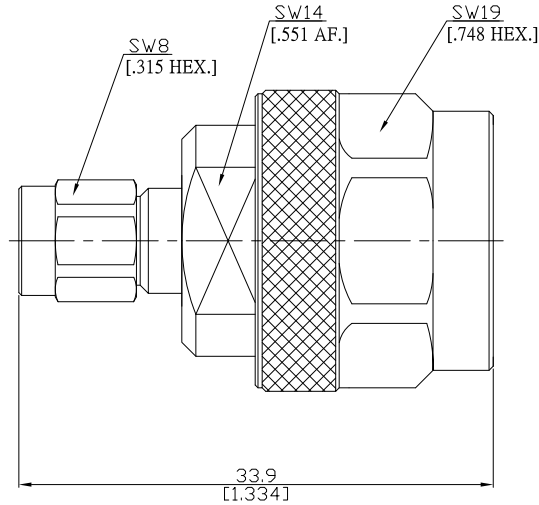


Adaptor plug/plug
SMA plug (male) / N plug (male)

AD-A1N15A/HXX-HXX



All dimensions are in mm [inch]

Tolerances according to DIN ISO 2768-mH

Interface

SMA According to MIL-C-39012;MIL-STD-348A/310
N According to MIL-C-39012;MIL-STD-348A/304

Electrical Data

Impedance 50 Ω
Frequency DC to 12 GHz
VSWR (Return Loss) ≤ 1.15 (≥ 23.13 dB)
Insertion Loss ≤ 0.05 x √F [GHz] dB

Mechanical Data

Coupling mechanisms SMA (Screw-lock) ; N (Screw-lock)
Weight 0.0325 kg

Environmental Data

Temperature range -65°C to +165°C
RoHS compliant

Material And Plating

Piece Parts (SMA)	Material	Plating
Centre contact	Phosphor Bronze	Gold plating(Nickel underplated)
Body	Stainless Steel	Passivated
Insulator	PTFE	
Gasket	Silicone Rubber	
Coupling nut	Stainless Steel	Passivated
Piece Parts (N)	Material	Plating
Centre contact	Phosphor Bronze	Gold plating(Nickel underplated)
Body	Stainless Steel	Passivated
Insulator	PTFE	
Gasket	Silicone Rubber	
Coupling nut	Stainless Steel	Passivated

Packing

Single or 100