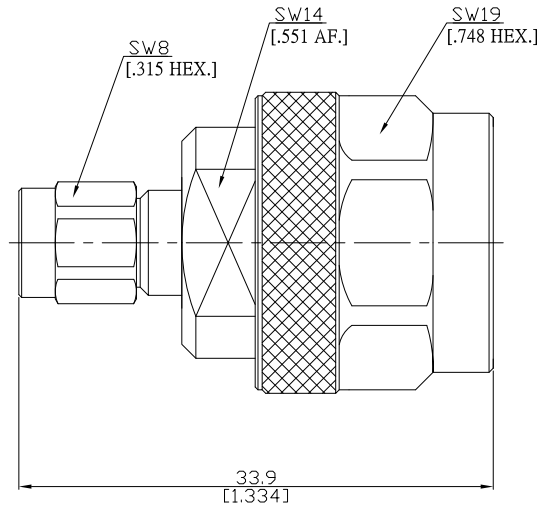


Adaptor plug/plug  
SMA plug (male) / N plug (male)

AD-A1N15A/H33-H33



All dimensions are in mm [inch]

Tolerances according to DIN ISO 2768-mH

**Interface**

SMA According to MIL-C-39012;MIL-STD-348A/310  
N According to MIL-C-39012;MIL-STD-348A/304

**Electrical Data**

Impedance 50 Ω  
Frequency DC to 12 GHz  
VSWR (Return Loss) ≤ 1.15 (≥ 23.13 dB)  
Insertion Loss ≤ 0.05 x √F [GHz] dB

**Mechanical Data**

Coupling mechanisms SMA (Screw-lock) ; N (Screw-lock)  
Weight 0.0325 kg

**Environmental Data**

Temperature range -65°C to +165°C  
RoHS compliant

**Material And Plating**

Piece Parts (SMA)	Material	Plating
Centre contact	Phosphor Bronze	Gold plating(Nickel underplated)
Body	Brass	Nickel
Insulator	PTFE	
Gasket	Silicone Rubber	
Coupling nut	Brass	Nickel
Piece Parts (N)	Material	Plating
Centre contact	Phosphor Bronze	Gold plating(Nickel underplated)
Body	Brass	Nickel
Insulator	PTFE	
Gasket	Silicone Rubber	
Coupling nut	Brass	Nickel

**Packing**

Single or 100