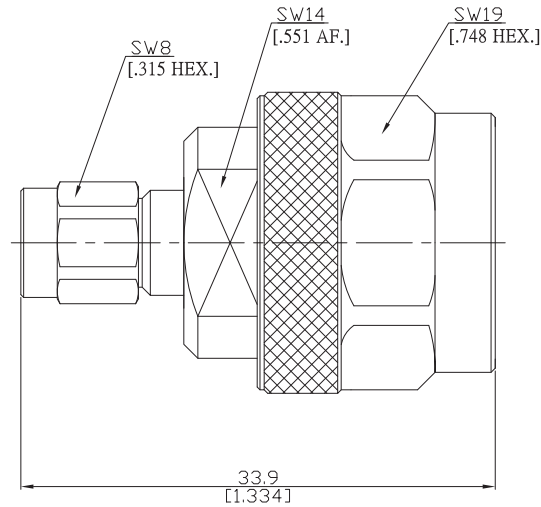


Adaptor plug/plug  
SMA plug (male) / N plug (male)

AD-A1N15A/144-144



All dimensions are in mm [inch]

Tolerances according to DIN ISO 2768-mH

#### Interface

SMA According to

IEC 60169-15; MIL-C-39012; MIL-STD-348A/310

N According to

IEC 61169-16; MIL-C-39012; MIL-STD-348A/304

#### Electrical Data

Impedance

50 Ω

Frequency

DC to 12 GHz

VSWR (Return Loss)

≤ 1.15 (≥ 23.13 dB)

Insertion Loss

≤ 0.05 x √F [GHz] dB

#### Mechanical Data

Coupling mechanisms

SMA (Screw-lock); N (Screw-lock)

Weight

N/A

#### Environmental Data

Temperature range

-65°C to +165°C

RoHS

compliant

#### Material And Plating

Piece Parts (SMA)	Material	Plating
Centre contact	Brass	Gold plating(Nickel underplated)
Body	Brass	Copper-Tin-Zinc Alloy
Insulator	PTFE	
Gasket	Silicone Rubber	
Coupling nut	Brass	Copper-Tin-Zinc Alloy
Piece Parts (N)	Material	Plating
Centre contact	Brass	Gold plating(Nickel underplated)
Body	Brass	Copper-Tin-Zinc Alloy
Insulator	PTFE	
Gasket	Silicone Rubber	
Coupling nut	Brass	Copper-Tin-Zinc Alloy

#### Packing

Single or 100