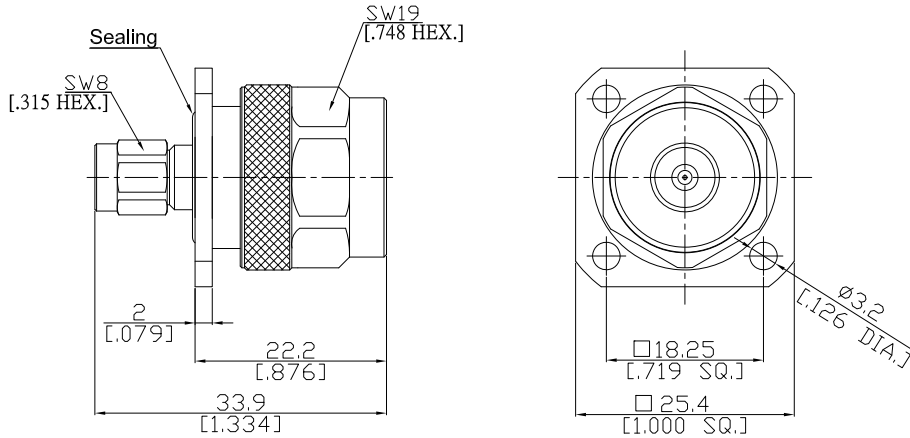


4 Hole Panel Flange Adaptor
SMA Plug (male) / N Plug (male)

AD-A1N15A-PF/H11-144



All dimensions are in mm [inch]
Tolerances according to DIN ISO 2768-mH

Interface

SMA according to IEC 60169-15; MIL-C-39012; MIL-STD-348A/310
N according to IEC 60169-16; MIL-C-39012; MIL-STD-348A/304

Electrical Data

Impedance 50 Ω
Frequency DC to 11 GHz
VSWR (Return Loss) ≤ 1.15 (≥ 23.1 dB)
Insertion Loss ≤ 0.04 × √F (GHz) dB

Mechanical Data

Coupling mechanisms SMA (Screw-lock) ; N (Screw-lock)
Weight 0.0449 kg

Environmental Data

Temperature range -65°C to +165°C
RoHS compliant

Material And Plating

Piece Parts (SMA)		
Piece Parts (SMA)	Material	Plating
Centre contact	Phosphor Bronze	Gold plating(Nickel underplated)
Body	Brass	Gold plating(Nickel underplated)
Insulator	PTFE	
Gasket	Silicone Rubber	
Coupling nut	Brass	Gold plating(Nickel underplated)
Piece Parts (N)		
Piece Parts (N)	Material	Plating
Centre contact	Brass	Gold plating(Nickel underplated)
Body	Brass	Copper-Tin-Zinc Alloy
Insulator	PTFE	
Gasket	Silicone Rubber	
Coupling nut	Brass	Copper-Tin-Zinc Alloy

Packing

Single or 100

Related Document

Mounting Dimension MD16