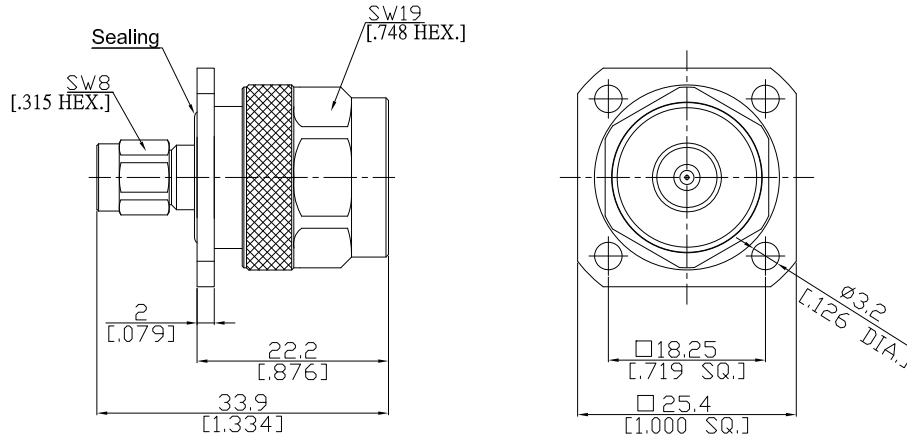




4 Hole Panel Flange Adaptor  
SMA Plug (male) / N Plug (male)

AD-A1N15A-PF/H11-133



All dimensions are in mm [inch]  
Tolerances according to DIN ISO 2768-mH

**Interface**

SMA according to IEC 60169-15; MIL-C-39012; MIL-STD-348A/310  
N according to IEC 60169-16; MIL-C-39012; MIL-STD-348A/304

**Electrical Data**

Impedance 50 Ω  
Frequency DC to 11 GHz  
VSWR (Return Loss) ≤ 1.15 (≥ 23.1 dB)  
Insertion Loss ≤ 0.04 x √F (GHz) dB

**Mechanical Data**

Coupling mechanisms SMA (Screw-lock) ; N (Screw-lock)  
Weight 0.0449 kg

**Environmental Data**

Temperature range -65°C to +165°C  
RoHS compliant

**Material And Plating**

Piece Parts (SMA)		
Piece Parts (SMA)	Material	Plating
Centre contact	Phosphor Bronze	Gold plating(Nickel underplated)
Body	Brass	Gold plating(Nickel underplated)
Insulator	PTFE	
Gasket	Silicone Rubber	
Coupling nut	Brass	Gold plating(Nickel underplated)
Piece Parts (N)		
Piece Parts (N)	Material	Plating
Centre contact	Brass	Gold plating(Nickel underplated)
Body	Brass	Nickel
Insulator	PTFE	
Gasket	Silicone Rubber	
Coupling nut	Brass	Nickel

**Packing**

Single or 100

**Related Document**

Mounting Dimension MD16

The facts and figures herein are carefully compiled to the best of our knowledge, but they are intended for general informational purposes only. In the effort to improve our products, we reserve the right to make changes judged to be necessary.

Rev.:  
Date:  
2017/07/13

Rosnol RF/Microwave Technology Co., Ltd.  
www.rosnol.com; info@rosnol.com  
Phone: +886-3-463-5095 / Fax: +886-3-463-5952  
N-CAGE Code: SFKK0 / ISO9001 Certified