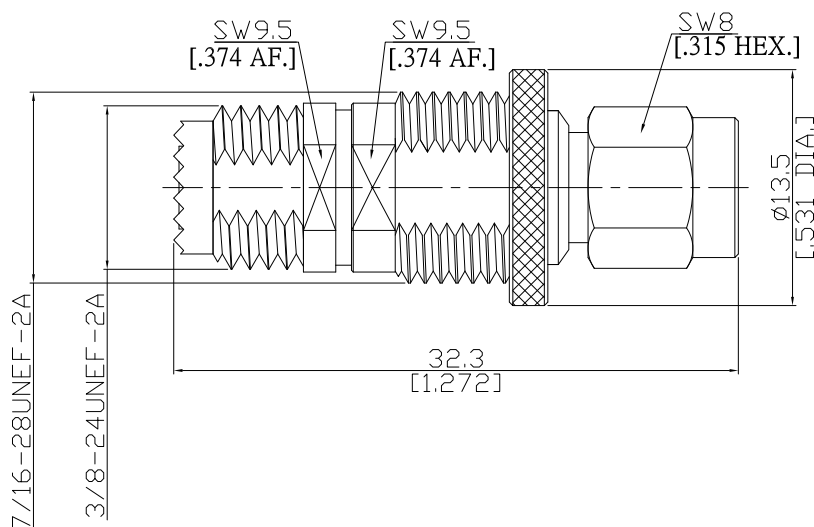


Adaptor Plug / Jack
SMA plug (male) / Mini UHF jack (female)

AD-A1MU25A/911-94



All dimensions are in mm [inch]
Tolerances according to DIN ISO 2768-mH

Interface

According to IEC 60169-15; MIL-C-39012; MIL-STD-348A/310

Electrical Data

Impedance 50 Ω
Frequency DC to 2.5 GHz

Mechanical Data

Coupling mechanisms SMA (Screw-lock) ; Mini UHF (Screw-lock)
Weight 0.0081 kg

Environmental Data

Temperature range -55°C to +85°C
RoHS compliant

Material And Plating

| Piece Parts (SMA) | Material | Plating |
|------------------------|------------------|----------------------------------|
| Centre contact | Beryllium Copper | Gold plating(Nickel underplated) |
| Body | Brass | Gold plating(Nickel underplated) |
| Insulator | PTFE | |
| Gasket | Silicone Rubber | |
| Coupling nut | Brass | Gold plating(Nickel underplated) |
| Piece Parts (Mini UHF) | Material | Plating |
| Centre contact | Beryllium Copper | Gold plating(Nickel underplated) |
| Body | Brass | Copper-Tin-Zinc Alloy |
| Insulator | PTFE | |

Packing

Single or 100