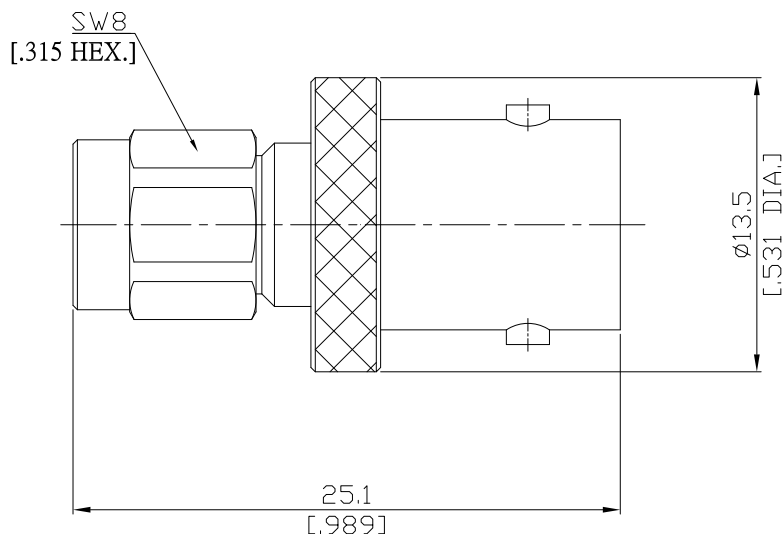


Adaptor plug/jack
SMA plug (male) / BNC jack (female)

AD-A1B25A/911-93



All dimensions are in mm [inch]
Tolerances according to DIN ISO 2768-mH

Interface

According to SMA Side: IEC 60169-15; MIL-C-39012; MIL-STD-348A/310
BNC Side: IEC 60169-8; CECC 22120; MIL-C-39012; MIL-STD-348A/301

Electrical Data

Impedance 50 Ω
Frequency DC to 6 GHz
VSWR (Return Loss) DC-4 GHz: ≤ 1.15 (≥ 23.13 dB) 4-6 GHz: ≤ 1.2 (≥ 20.83 dB)
Insertion Loss ≤ 0.05 x √F (GHz) dB

Mechanical Data

Coupling mechanisms SMA (Screw-lock); BNC (Bayonet-lock)
Weight 0.0077 kg

Environmental Data

Temperature range -65°C to +165°C
RoHS compliant

Material And Plating

Piece Parts (SMA)	Material	Plating
Centre contact	Beryllium Copper	Gold plating (Nickel underplated)
Body	Brass	Gold plating (Nickel underplated)
Insulator	PTFE	
Gasket	Silicone Rubber	
Coupling nut	Brass	Gold plating (Nickel underplated)
Piece Parts (BNC)	Material	Plating
Centre contact	Beryllium Copper	Gold plating (Nickel underplated)
Body	Brass	Nickel
Insulator	PTFE	

Packing

Single or 100