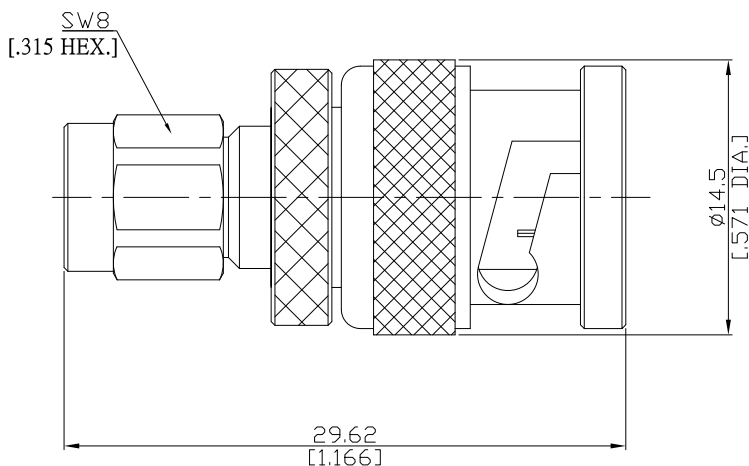


Adaptor plug/plug  
SMA plug (male) / BNC plug (male)

AD-A1B15A/111-144



All dimensions are in mm [inch]  
Tolerances according to DIN ISO 2768-mH

**Interface**

According to SMA Side: IEC 60169-15; MIL-C-39012; MIL-STD-348A/310  
BNC Side: IEC 60169-8; CECC 22120; MIL-C-39012; MIL-STD-348A/301

**Electrical Data**

Impedance 50 Ω  
Frequency DC to 6 GHz  
VSWR (Return Loss) DC-4 GHz: ≤ 1.15 (≥ 23.13 dB) 4-6 GHz: ≤ 1.2 (≥ 20.83 dB)  
Insertion Loss ≤ 0.05 x √F (GHz) dB

**Mechanical Data**

Coupling mechanisms SMA (Screw-lock) ; BNC (Bayonet-lock)  
Weight 0.0147 kg

**Environmental Data**

Temperature range -65°C to +165°C  
RoHS compliant

**Material And Plating**

Piece Parts (SMA)	Material	Plating
Centre contact	Brass	Gold plating(Nickel underplated)
Body	Brass	Gold plating(Nickel underplated)
Insulator	PTFE	
Gasket	Silicone Rubber	
Coupling nut	Brass	Gold plating(Nickel underplated)
Piece Parts (BNC)	Material	Plating
Centre contact	Brass	Gold plating(Nickel underplated)
Body	Brass	Copper-Tin-Zinc Alloy
Insulator	PTFE	
Gasket	Silicone Rubber	
Coupling nut	Brass	Copper-Tin-Zinc Alloy

**Packing**

Single or 100