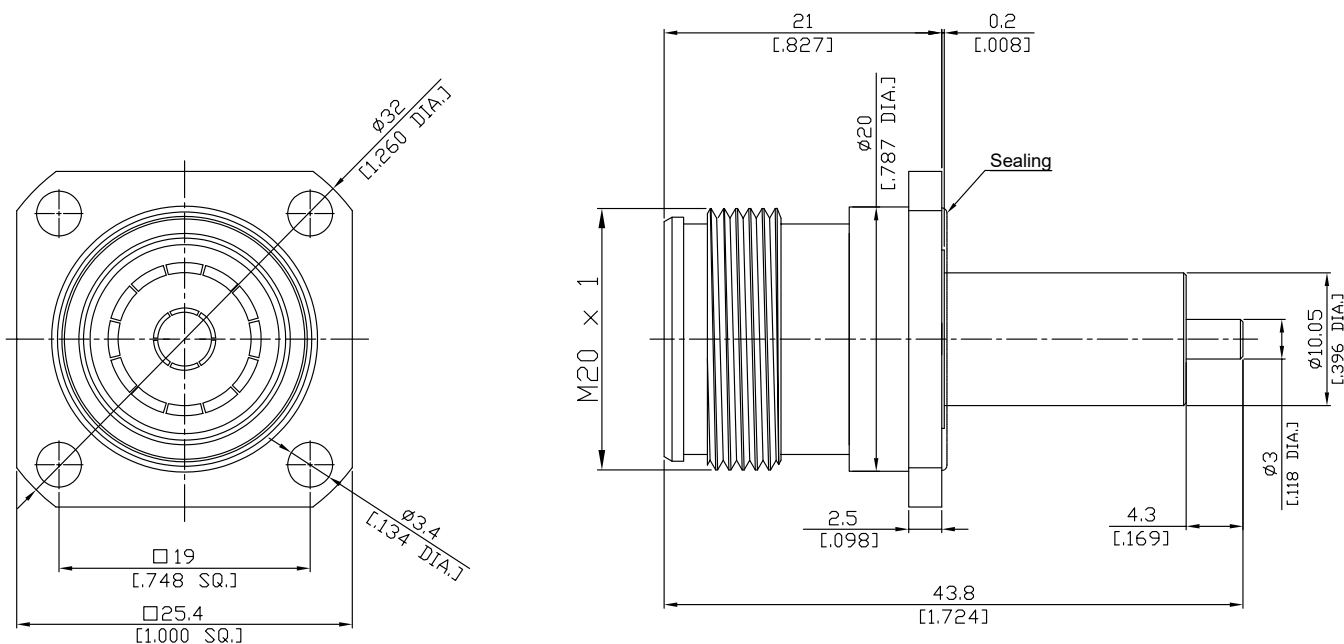




4.3-10 Straight Panel Receptacle Jack  
Coaxial End

43102GFA50-4380A/H4



All dimensions are in mm [inch]  
Tolerances according to DIN ISO 2768-mH

**Interface**

According to IEC 61169-54

**Electrical Data**

Impedance 50 Ω  
Frequency DC to 6 GHz  
VSWR (Return loss) ≤ 1.20 (≥ 20.83 dB)  
Insertion loss ≤ 0.1 x √F (GHz) dB

**Mechanical Data**

Coupling mechanisms Screw-lock  
Weight N/A

**Environmental Data**

Temperature range -65°C to +165°C  
RoHS compliant

**Material And Plating**

Piece Parts	Material	Plating
Centre contact	Phosphor Bronze	Gold plating(Nickel underplated)
Body	Brass	Copper-Tin-Zinc Alloy
Insulator	PTFE	
Gasket	Silicon Rubber	

**Packing**

Single or 100

**Related Document**

Mounting Dimension MD156