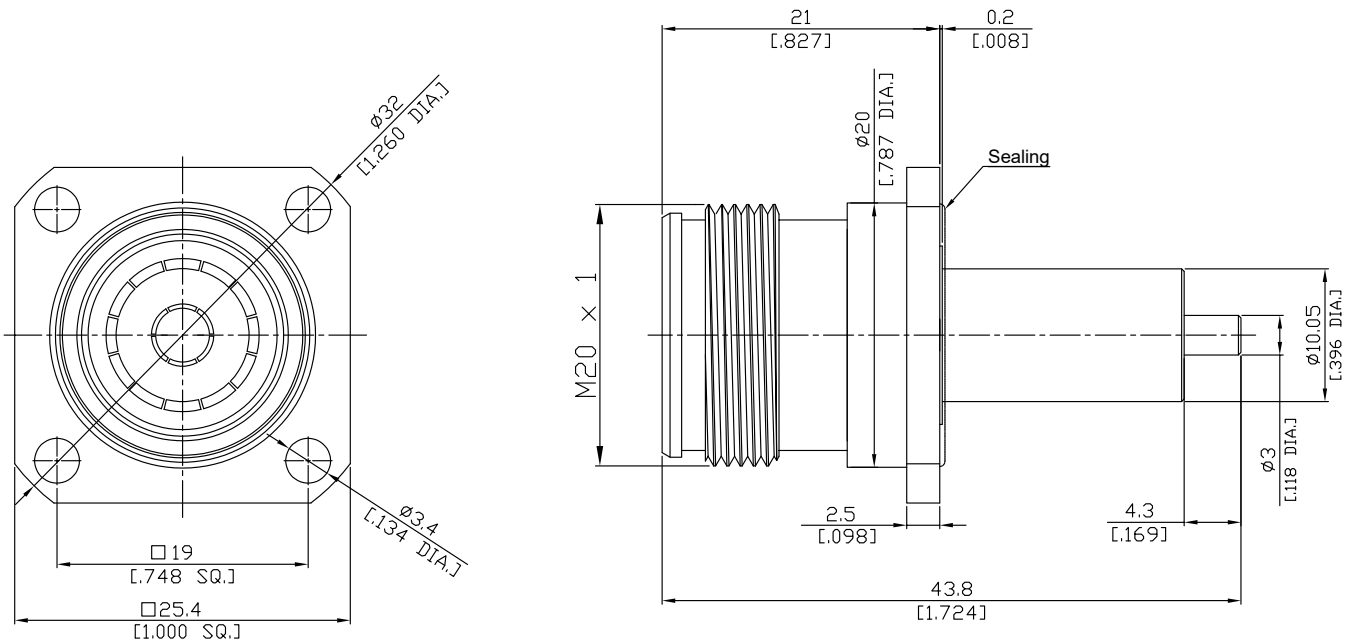


4.3-10 Straight Panel Receptacle Jack
Coaxial End (Low PIM)

43102GFA50-4380A/H4-LP



All dimensions are in mm [inch]
Tolerances according to DIN ISO 2768-mH

Interface
According to IEC 61169-54

Electrical Data
Impedance 50 Ω
Frequency DC to 12 GHz
VSWR (Return loss) DC-6 GHz: ≤ 1.20 (≥ 20.83 dB)
Insertion loss DC-6 GHz: ≤ 0.1 × √F [GHz] dB
PIM level 0.4 - 4 GHz: ≥ 155 dBc

Electrical values valid for the interface only. Actual values will depend on application and manufacturing method.

Mechanical Data
Coupling mechanisms Screw-lock
Weight N/A

Environmental Data
Temperature range -65°C to +165°C
RoHS compliant

Material And Plating		
Piece Parts	Material	Plating
Centre contact	Phosphor Bronze	Gold plating(no nickel underplating)
Body	Brass	Copper-Tin-Zinc Alloy
Insulator	PTFE	
Gasket	Silicon Rubber	

Packing
Single or 100

Related Document
Mounting Dimension MD156